

## Sensor for measuring Free Chlorine

Zirkon® DIS are potentiostatic sensors, measuring parameter and range are defined by the connected instrument.



## Applications



Disinfection



Drinking Water

## Technical data

### Measuring Range

0.. 1000 µg/l  
0.. 5.00/10.00 mg/l  
0.. 20.00 mg/l

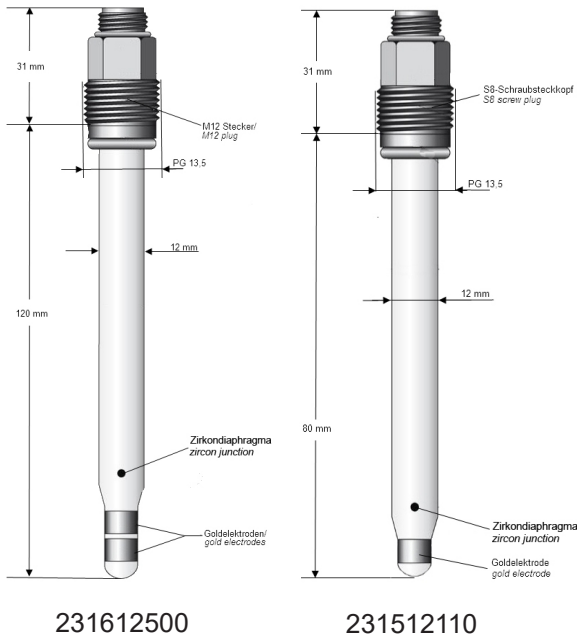
### Process Conditions

Max. pressure 10 bar at 20°C (145 psi at 68 °F)  
Min. conductivity > 150 µS/cm , with ASR > 200 µS/cm  
Temperature -5.. +70 °C (23.. 158 °F)

### Mechanical construction

Junction Zircon  
Shaft material Glass  
Mechanical Construction 80 mm, 120 mm  
Electrode material gold ring, 2 gold rings, 2 platinum rings  
Reference system Ag/AgCl/Tepox gel  
Process connection S8 plug (swivel PG 13.5), M12 plug (swivel PG 13.5)

## Mechanical Drawing



## Versions

Type/Configuration	Descripton	Article number
231612500	DIS sensor: 2 gold rings, zircon junctions, Tepox gel, M12 plug (swivel PG 13.5), 120 mm	24135140K
231512110	DIS sensor: gold ring, zircon junction, Tepox gel, S8 plug (swivel PG 13.5), 80 mm	24135130K